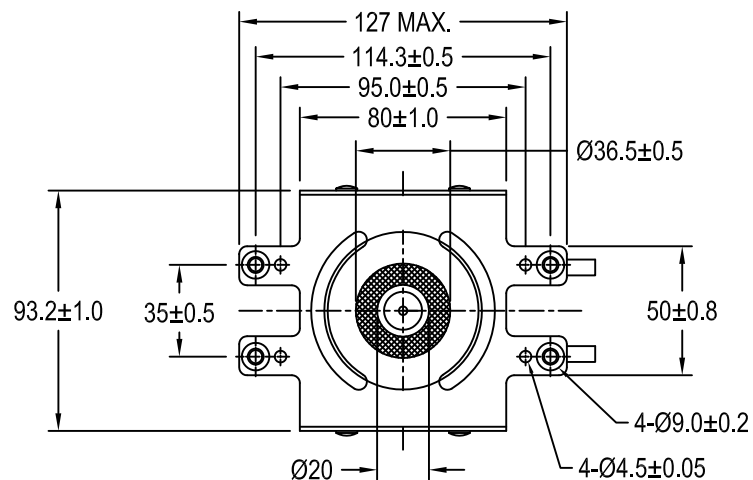
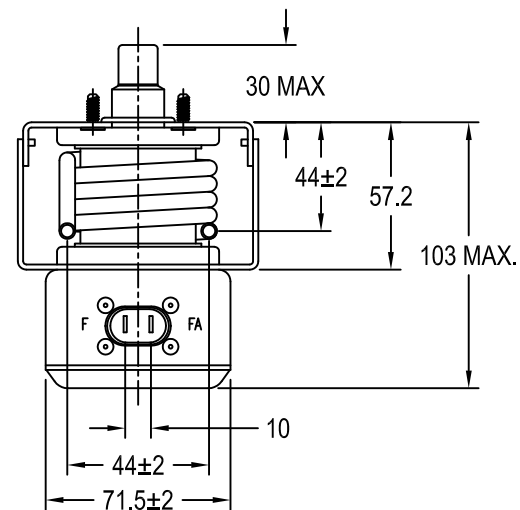
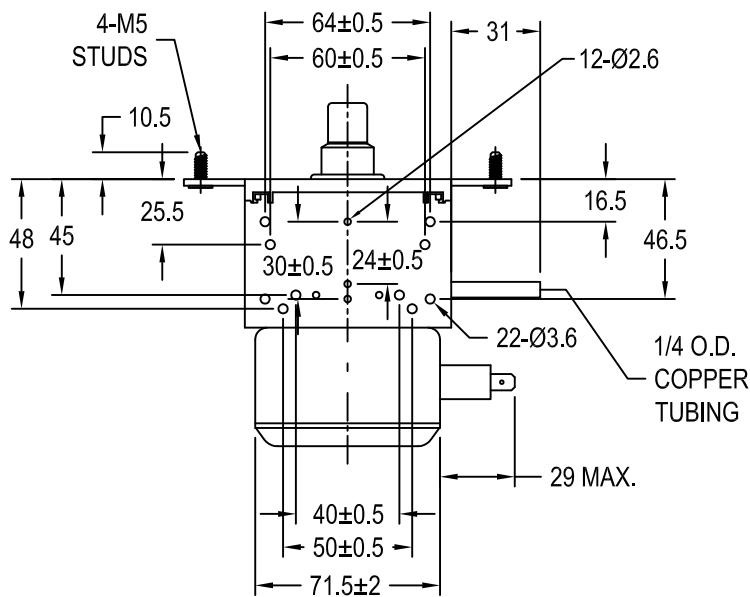
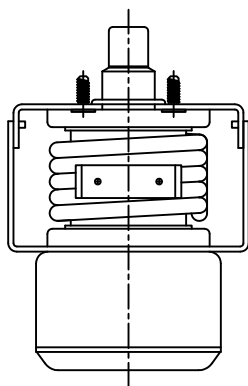


# NATIONAL

# 2M107A-795WCA



DIMENSIONS IN MILLIMETERS



1	R1999	3/9/05	RJW/CJL
Rev.	SCO#	DATE	BY