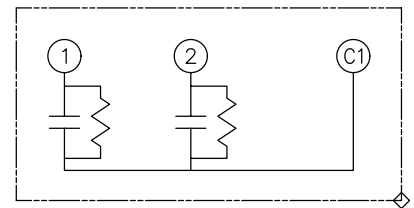
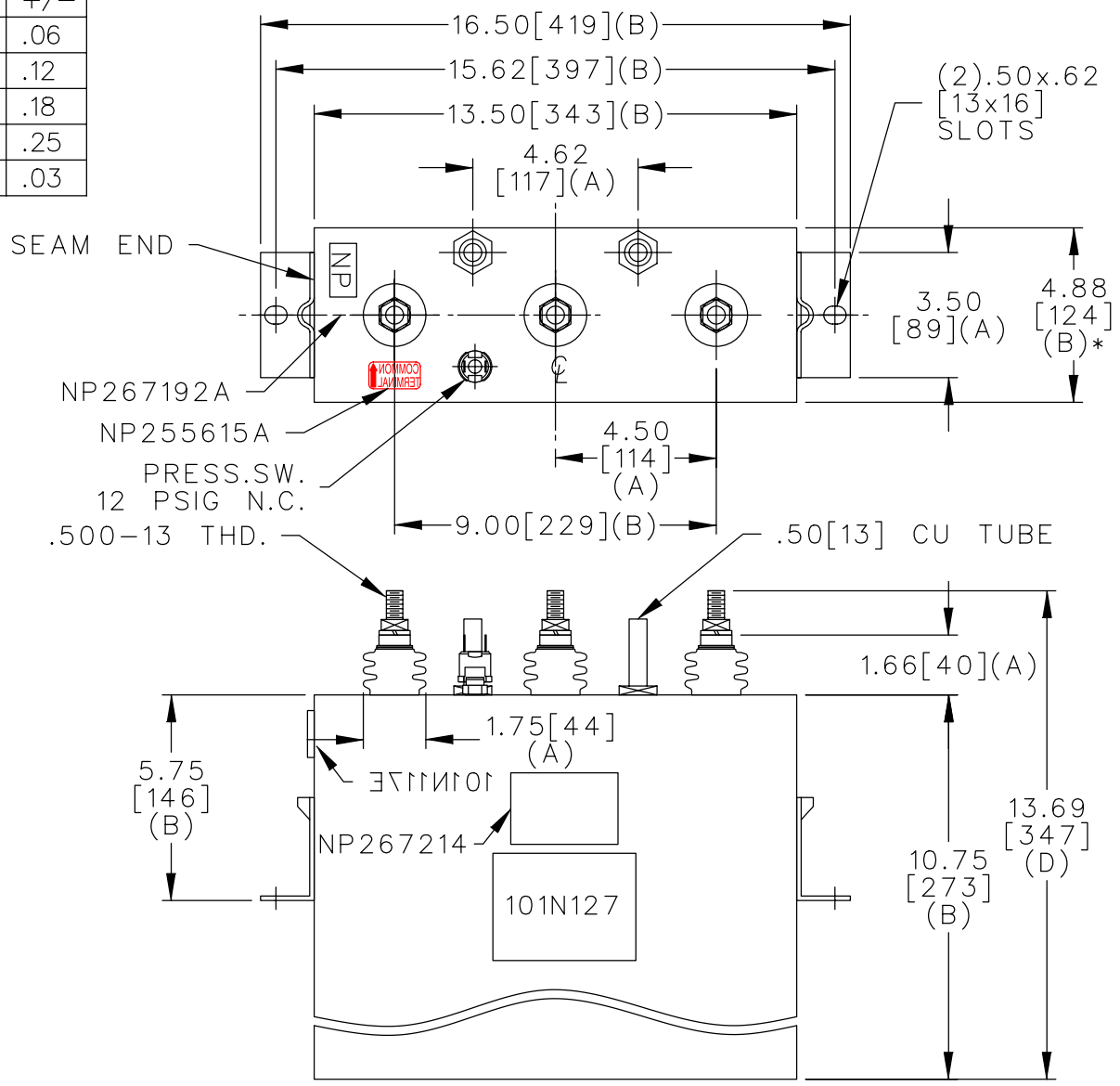


SIZE <b>A</b>	DWG NO. 19L0879TH4	SH 2	REV
REV			
5	McGINN NP267214 WAS 101N123		

TOL	+/-
A	.06
B	.12
C	.18
D	.25
E	.03



SCHEMATIC DIAGRAM - 212

WITH INTERNAL DISCH RESISTORS  
 CAT. 19L0879TH4 SN  
 100KVAR 460V 60HZ 1PH  
 627 UF/TAP  
 1.61 GAL COMBUSTIBLE LIQUID  
 CAUTION! BEFORE INSTALLING OR  
 OPERATING READ GEH2733+2739  
 NP267214

\* UP TO +.50 [13]  
 CASE BULGE

MAX. TERMINAL  
 TIGHTENING TORQUE  
 15 FT-LBS

NP267192A

	CAPACITOR & POWER PROTECTION FORT EDWARD, N.Y., U.S.A.		SIZE <b>A</b>	FSCM NO	<b>OUTLINE</b> <b>19L0879TH4</b>	DISTR TO
	DRAWN HUMPHRIES	JULY 1, 1993	SCALE	SHEET 2		
ISSUED	7-7-93				ON	3