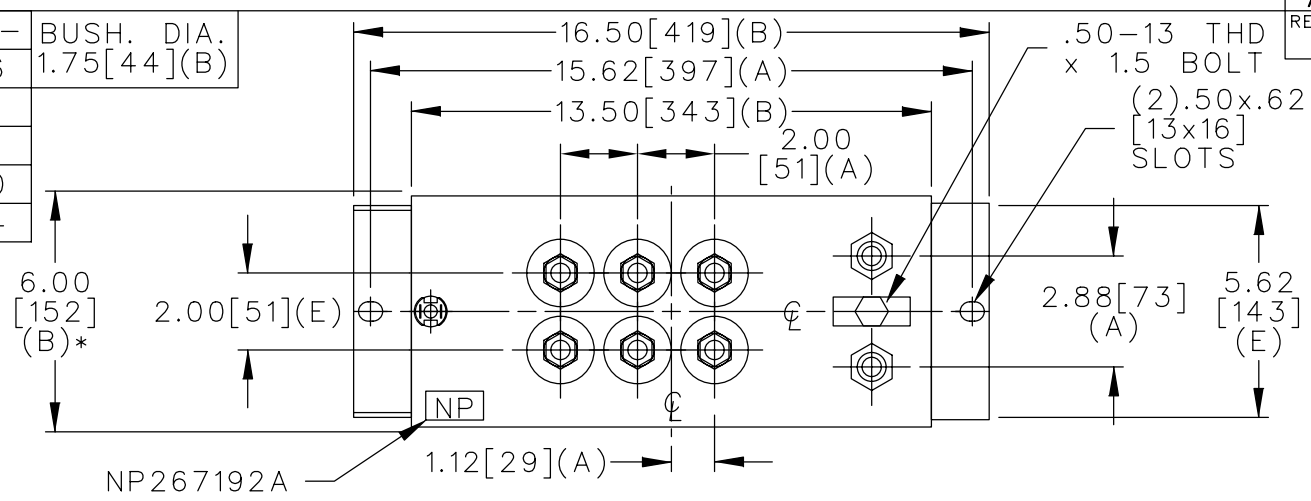
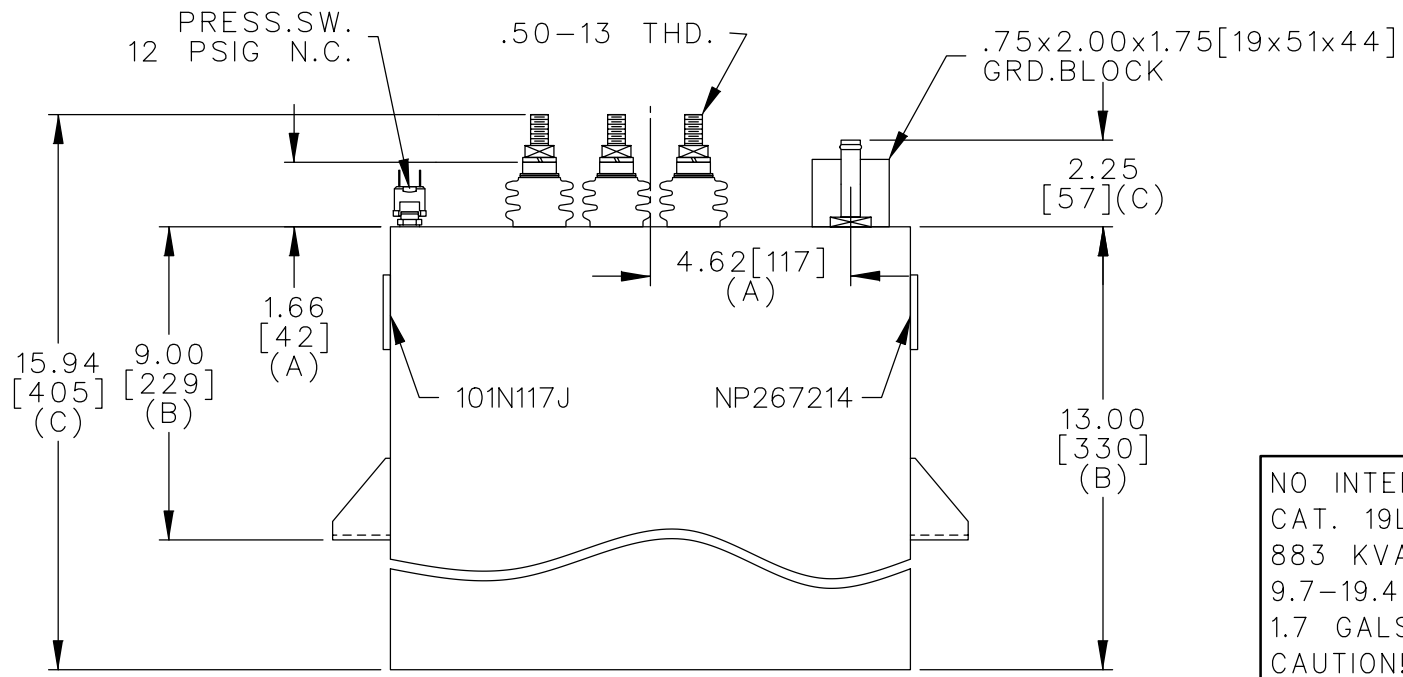
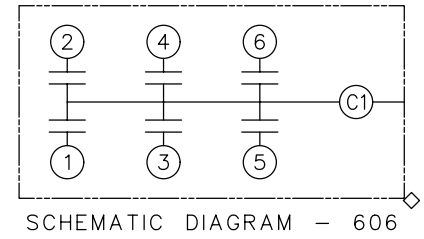


TOL	+/-	BUSH. DIA.
A	.06	1.75[44](B)
B	.12	
C	.18	
D	.50	
E	.04	



TERM	uF	kVAR
1	9.7	28
2	19.39	57
3	38.77	114
4	77.55	228
5	77.55	228
6	77.55	228



NO INTERNAL DISCH RESISTORS  
 CAT. 19L0645WH4 SN  
 883 KVAR 625 V 1200 Hz 1 PH  
 9.7-19.4-38.8-3x77.6 uF/SECT  
 1.7 GALS.COMBUSTIBLE LIQUID  
 CAUTION!BEFORE INSTALLING  
 OR OPERATING READ GEH-2733  
 NP267214

\* UP TO +.50[13]  
 CASE BULGE

MAX. TERMINAL  
 TIGHTENING TORQUE  
 15 FT-LBS

NP267192A

	CAPACITOR & POWER PROTECTION FORT EDWARD, N.Y., U.S.A.		SIZE <b>A</b>	UNIT WEIGHT 61/28 LB/KG	<b>OUTLINE</b> <b>19L0645WH4</b>	SHEET 2 CONT. 3 ON ON
	DRAWN TMO	MAR 20, 1997	SCALE WC2	version		
ISSUED	3-26-97					

DISTR TO