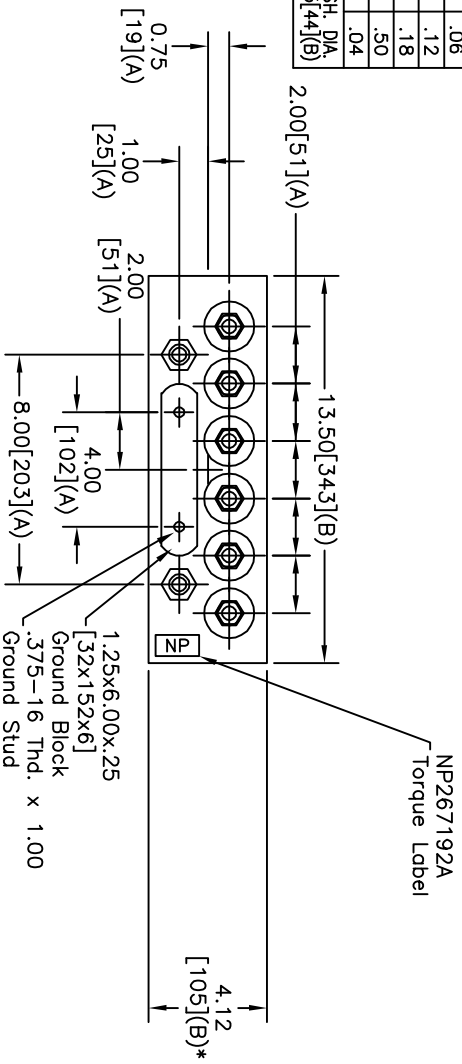
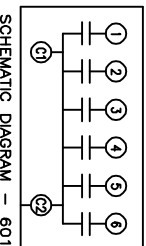
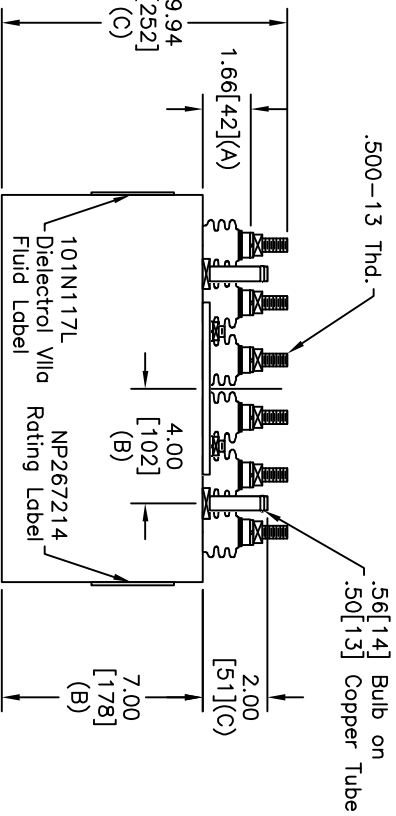


TOL	+/-
A	.06
B	.12
C	.18
D	.50
E	.04



TERM	UF	KVAR
1	0.9	10
2	1.7	20
3	3.4	40
4	6.9	80
5	12.9	150
6	12.9	150



NO INTERNAL DISCH RESISTORS
 CAT. 19L0609WH1 SN
 450KVAR 440V 9600HZ 1PH
 0.9+1.7+3.4+6.9+2x12.9UF/TAP
 0.81 GAL. COMBUSTIBLE LIQUID
 CAUTION! BEFORE INSTALLING OR
 OPERATING READ GEH-2733
 MADE IN USA NP267214

* UP TO +.50 [1.3]
 CASE BULGE

MAX. TERMINAL
 TIGHTENING TORQUE
 15 FT-LBS.
 NP267192A

SIZE	DWG NO	SHT	REV
A	19L0609WH1	2	3
REV	DESCRIPTION	DATE	APPROVED
3	DEL PS	8/8/2007	BTR

GE ENERGY FORT EDWARD, N.Y., U.S.A.		SIZE	A
		SCALE	WC9
DRAWN	E. MCGINN	DATE	11/18/1996
ISSUED		DATE	11/20/1996
OUTLINE 19L0609WH1		SHEET	2
		CONT	3

DISTR. TO