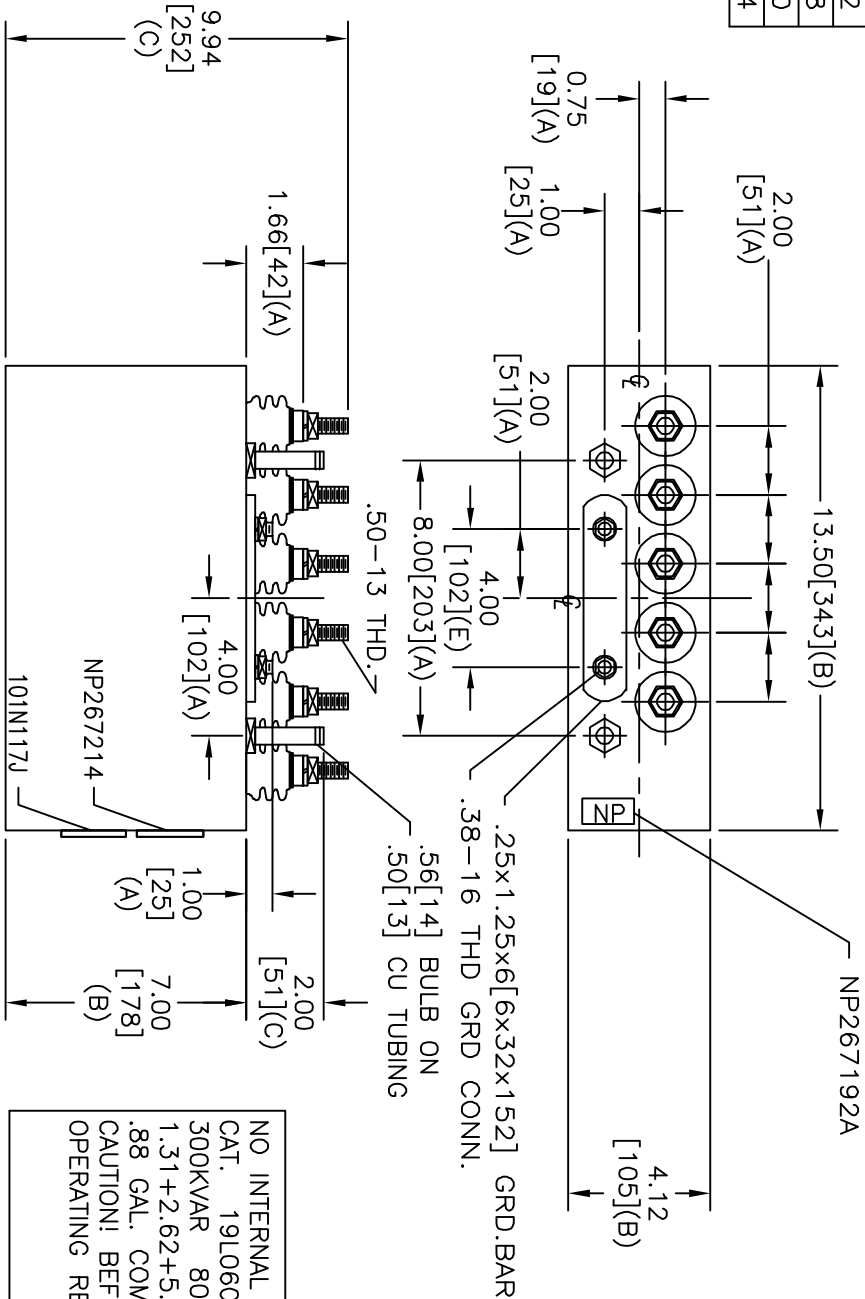
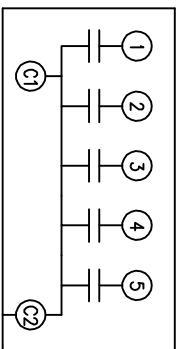


TOL	+/-	BUSH. DIA.
A	.06	1.75[44](B)
B	.12	
C	.18	
D	.50	
E	.04	



TERM	UF	KVAR
1	1.31	15.79
2	2.62	31.58
3	5.24	63.16
4	7.85	94.74
5	7.85	94.74



SCHEMATIC DIAGRAM - 506

NO INTERNAL DISCH RESISTORS  
 CAT. 19L0604WH1 SN  
 300KVAR 800V 3000HZ 1PH  
 1.31+2.62+5.24+2x7.85UF/TAP  
 .88 GAL. COMBUSTIBLE LIQUID  
 CAUTION! BEFORE INSTALLING OR  
 OPERATING READ GEH-2733

NP267214

\* UP TO +.50[13]  
 CASE BULGE

MAX. TERMINAL  
 TIGHTENING TORQUE  
 15 FT-LBS

NP267192A

SIZE	DWG NO	SHT	REV
A	19L0604WH1	2	2
REV	DESCRIPTION	DATE	APPROVED
2	CHG BORDER	8/18/04	BTR

INDUSTRIAL SYSTEMS  
 FORT EDWARD, N.Y., U.S.A.



DRAWN E. McGinn

DATE NOV 18, 1996

ISSUED

DATE 11/20/96

SIZE A

OUTLINE  
 19L0604WH1

SHEET 2 CONT -

DISTR. TO