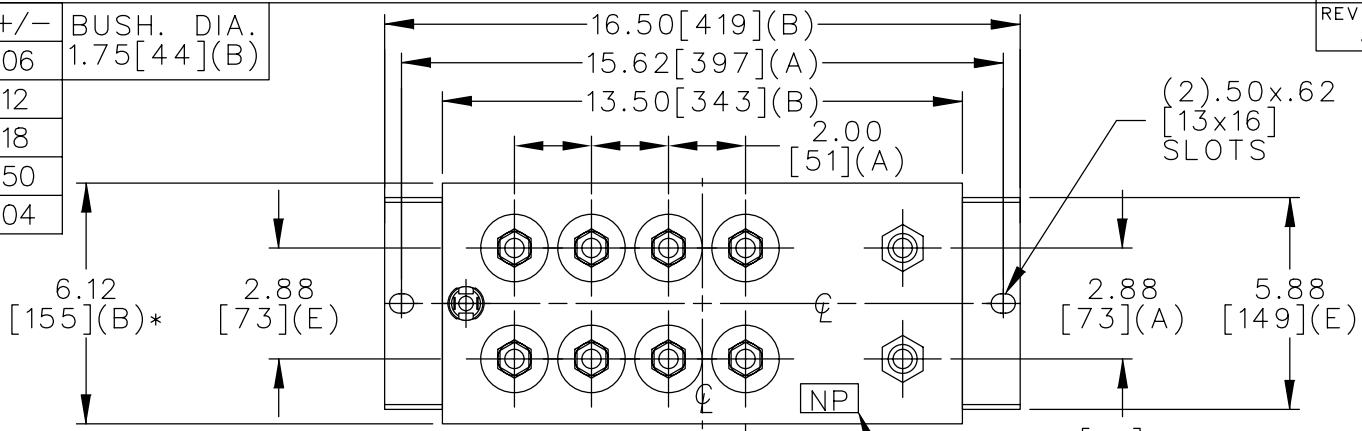
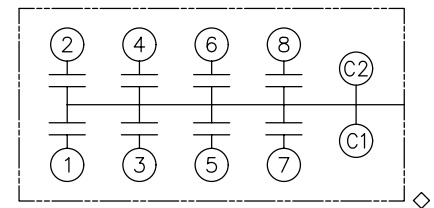


TOL	+/-	BUSH. DIA.
A	.06	1.75[44](B)
B	.12	
C	.18	
D	.50	
E	.04	



TERM	uF	kVAR
1	12.73	375
2	12.73	375
3	12.73	375
4	12.73	375
5	12.73	375
6	12.73	375
7	12.73	375
8	12.73	375



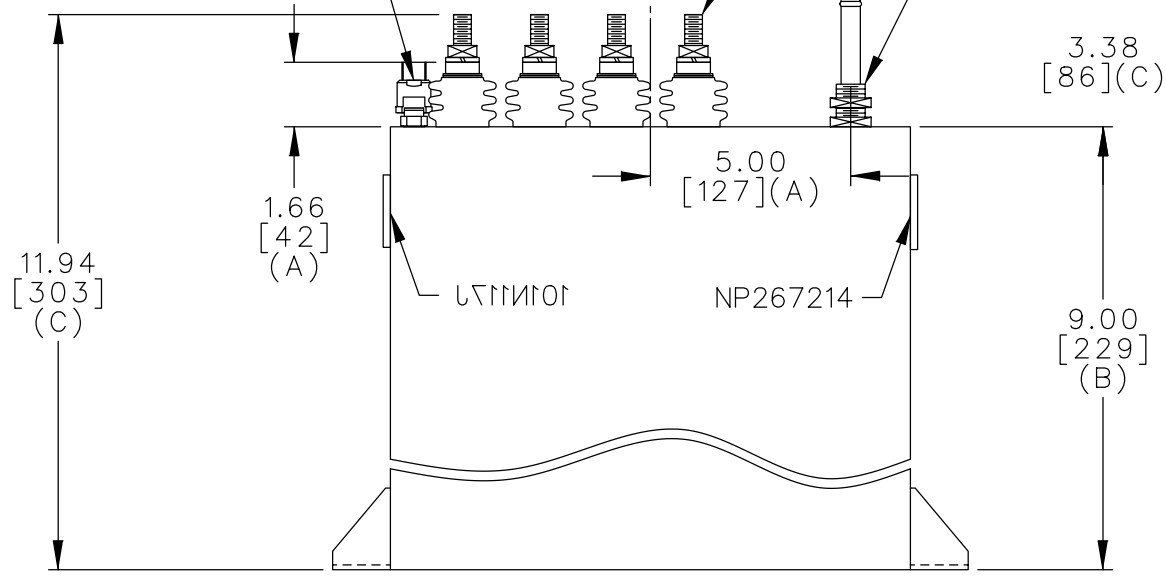
PRESS.SW.
12 PSIG N.C.

NP267192A

.500-13 THD.

.56[14] BULB ON
.50[13] CU TUBE

.75-16x.62 THD.



NO INTERNAL DISCH RESISTORS
CAT. 19L0524WH4 SN
3000KVAR 1250V 3000HZ 1PH
8x12.73 UF/TAP
1.4 GALS. COMBUSTIBLE LIQUID
CAUTION! BEFORE INSTALLING OR
OPERATING READ GEH-2733
NP267214

* UP TO +.50[13]
CASE BULGE

MAX. TERMINAL
TIGHTENING TORQUE
15 FT-LBS

NP267192A

	CAPACITOR & POWER PROTECTION FORT EDWARD, N.Y., U.S.A.		SIZE A	OUTLINE 19L0524WH4	SHEET 2 CONT. ON -
	DRAWN E.McGINN	JUNE 9, 1997	SCALE		
ISSUED	6-11-97	DISTR TO			