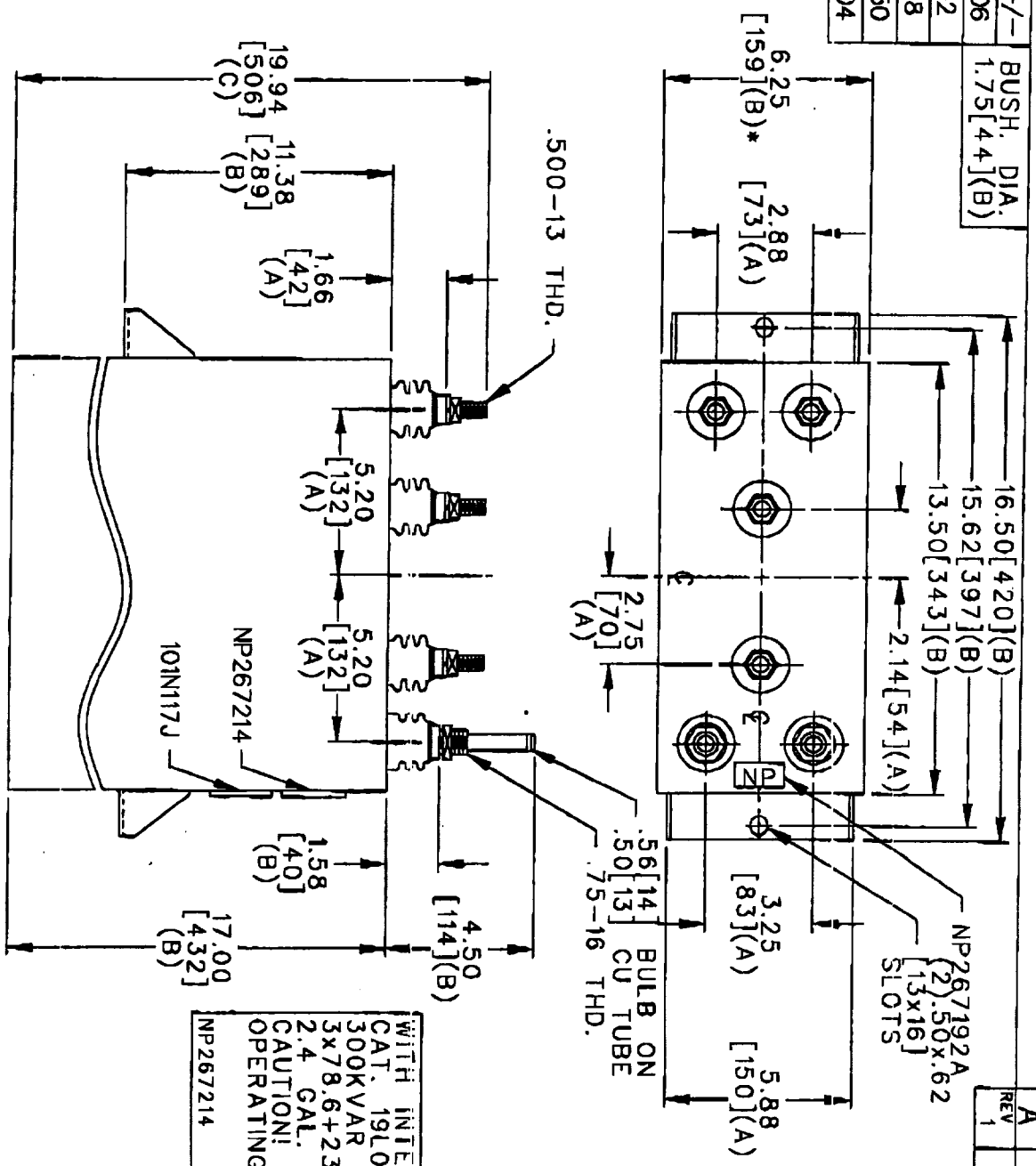


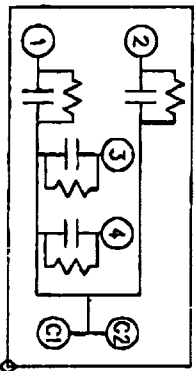
19L0496WH

TOL	+/-	BUSH. DIA.
A	.06	1.75 [4.4] (B)
B	.12	
C	.18	
D	.50	
E	.04	



TERM	UF	KVAR
1	78.6	50
2	78.6	50
3	78.6	50
4	235.8	150

SIZE	DWG. NO.	SH.	REV.
A	19L0496WH3		
REV	McGINN 11.38 WAS 9.00	DATE	9/27/82
1			




WITH INTERNAL DISCH RESISTORS  
 CAT. 19L0496WH3 SN  
 300KVAR 750V 180HZ 1PH  
 3x78.6+235.8UF/TAP  
 2.4 GAL. COMBUSTIBLE LIQUID  
 CAUTION! BEFORE INSTALLING OR  
 OPERATING READ GEH-2733  
 NP267214

\* UP TO +.50 [13]  
 CASE BULGE

MAX. TERMINAL  
 TIGHTENING TORQUE  
 15 FT.-LBS

NP267192A


 CAPACITOR & POWER PROTECTION  
 FORT EDWARD, N.Y., U.S.A.  
 DRAWN E. McGINN  
 OCT. 29, 1996  
 ISSUED 10-30-96

SIZE  
**A**

OUTLINE  
 19L0496WH3

SHEET 2 CONT. 3

DISTR TO