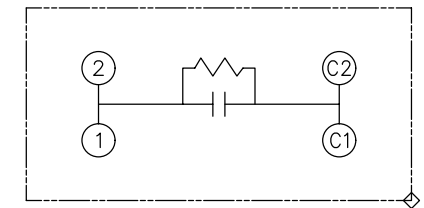
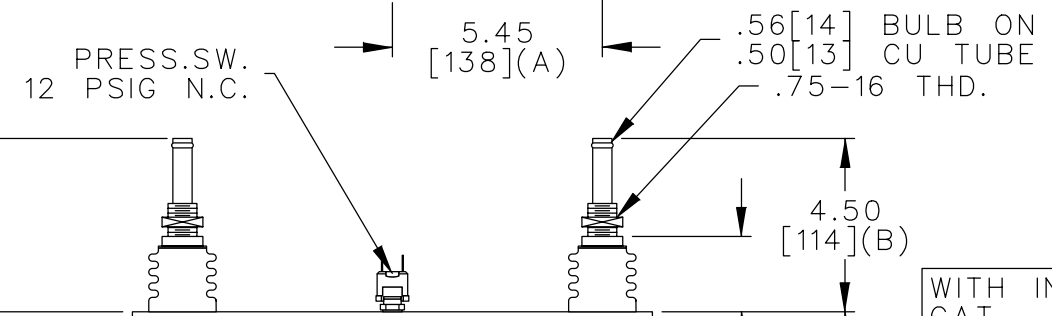
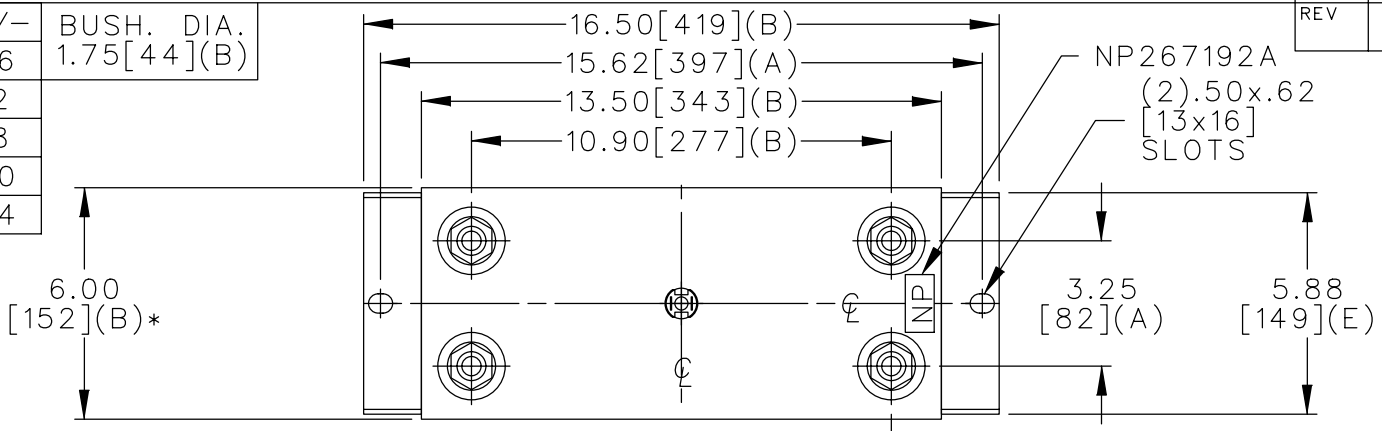
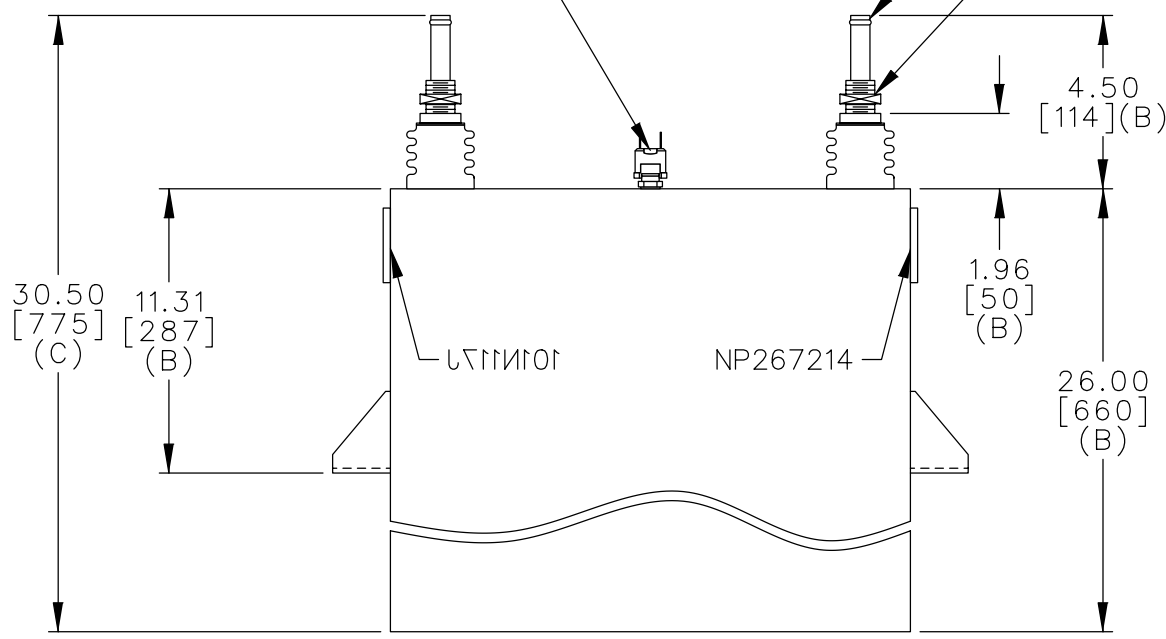


TOL	+/-	BUSH. DIA. 1.75[44](B)
A	.06	
B	.12	
C	.18	
D	.50	
E	.04	



SCHEMATIC DIAGRAM - 107



WITH INTERNAL DISCH RESISTORS
 CAT. 19L0460WH4 SN
 1400KVAR 2600V 300HZ 1PH
 109.87 UF/TAP
 3.1 GALS. COMBUSTIBLE LIQUID
 CAUTION! BEFORE INTALLING OR
 OPERATING READ GEH-2733
 NP267214

* UP TO +.50[13]
CASE BULGE

MAX. TERMINAL
TIGHTENING TORQUE
15 FT-LBS

NP267192A

	CAPACITOR & POWER PROTECTION FORT EDWARD, N.Y., U.S.A.		SIZE A	OUTLINE 19L0460WH4		SHEET 2	CONT. ON -
	DRAWN E.McGINN	JUNE 14, 2000	SCALE				
ISSUED							

DISTR TO