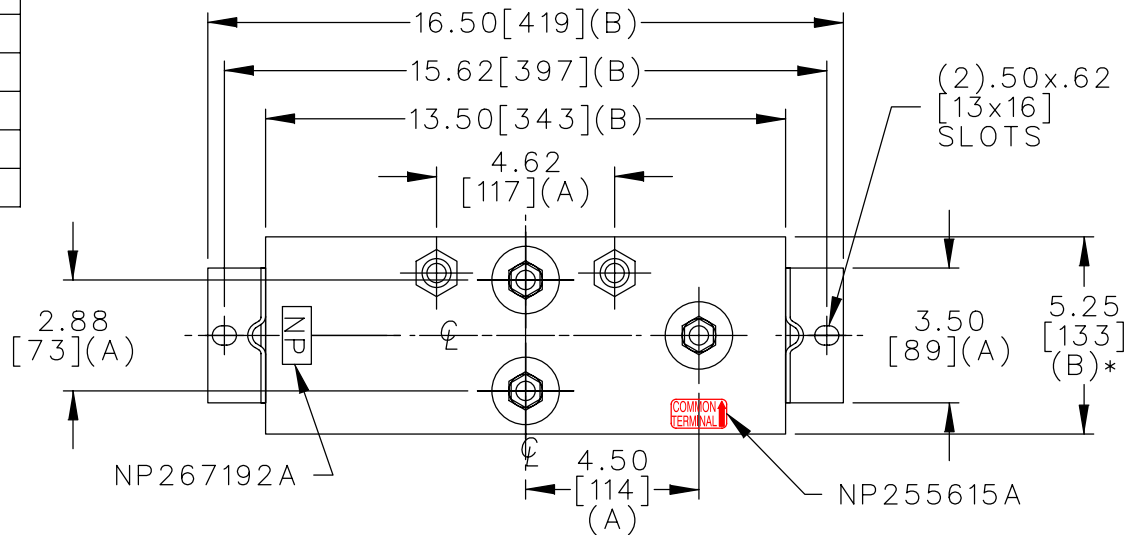
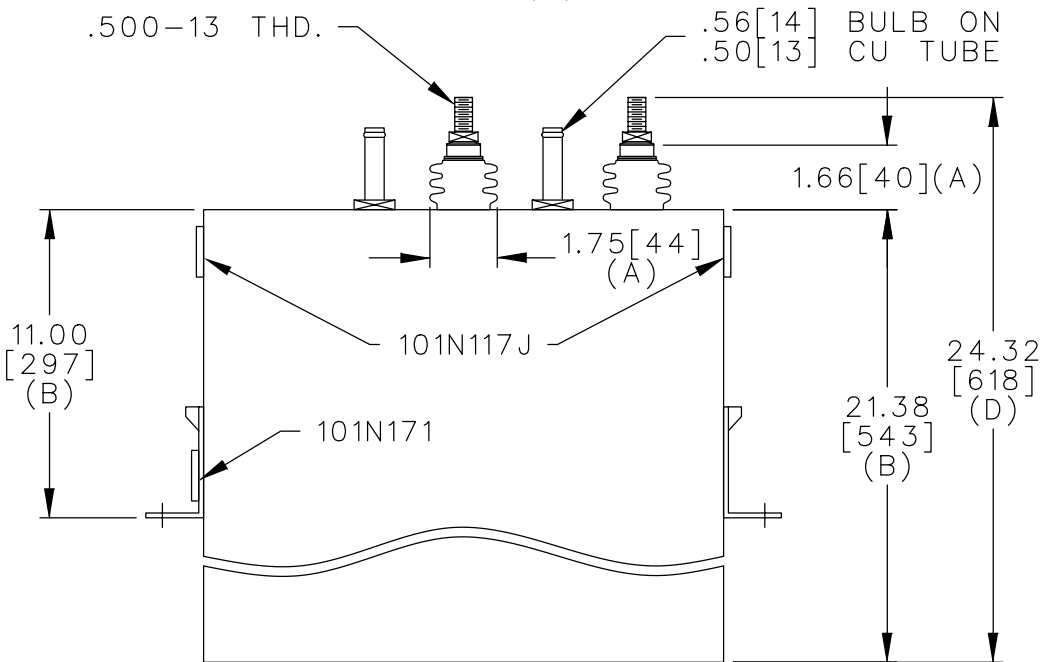
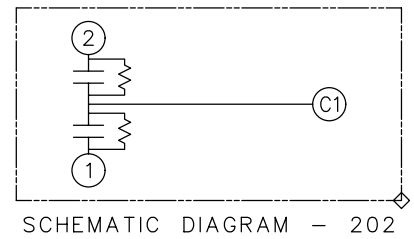


TOL	+/-
A	.06
B	.12
C	.18
D	.25
E	.03

SIZE <b>A</b>	DWG NO. 19L0458WH3	SH 2	REV
REV 1	McGINN SCHEM WAS 212		



TERM	uF	kVAR
1	111	60
2	222	120



120 + 60 KVAR/TAP  
 1200V 1PH  
 180KVAR 60HZ KVBIL  
 CAT. 19L0458WH3 NO.  
 2.6 GAL.  
 MFG DATE  
 GEH-2733

101N171

\* UP TO +.50 [13]  
 CASE BULGE

MAX. TERMINAL  
 TIGHTENING TORQUE  
 15 FT-LBS

NP267192A

	CAPACITOR & POWER PROTECTION FORT EDWARD, N.Y., U.S.A.		SIZE <b>A</b>	FSCM NO	<b>OUTLINE</b> <b>19L0458WH3</b>	SHEET 2 CONT 3
	DRAWN E.McGINN	DEC. 19, 1996	SCALE	DISTR TO		
ISSUED	1-8-97					