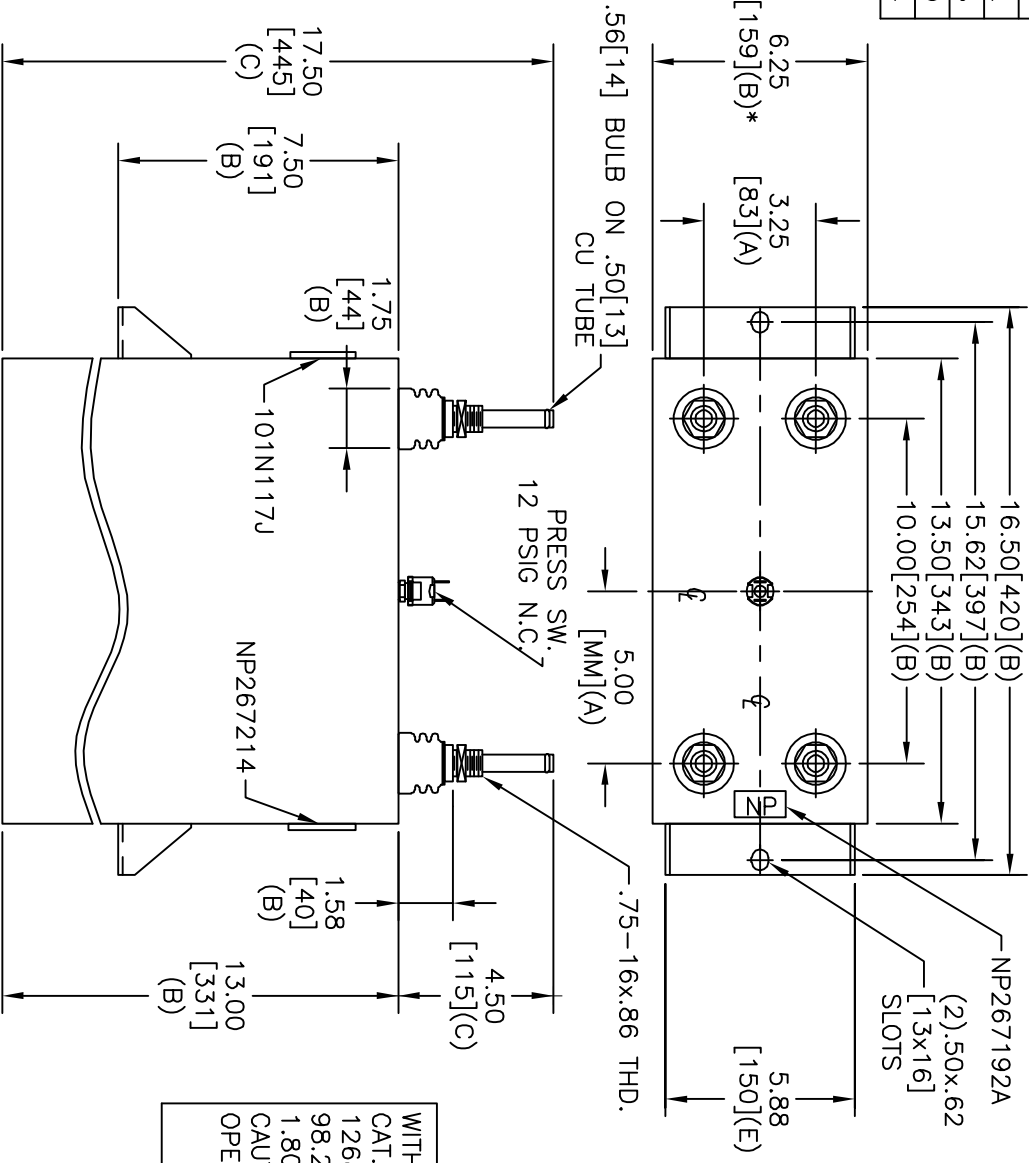
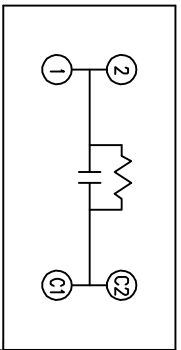


TOL	+/-
A	.06
B	.12
C	.18
D	.50
E	.04



SIZE	DWG NO	SHT	REV
A	19L0456WH4	2	1
REV	DESCRIPTION	DATE	APPROVED
1	UPDATE CAT NO	10/06/04	BTR



SCHEMATIC DIAGRAM - 107

WITH INTERNAL DISCH RESISTORS
 CAT. 19L0456WH4 SN
 1268KVAR 1850V 600HZ 1PH
 98.28 UF
 1.80 GAL. COMBUSTIBLE LIQUID
 CAUTION! BEFORE INSTALLING OR
 OPERATING READ GEH-2733

NP267214

* UP TO +.50 [13]
 CASE BULGE

MAX. TERMINAL
 TIGHTENING TORQUE
 15 FT-LBS

NP267192A

INDUSTRIAL SYSTEMS FORT EDWARD, N.Y., U.S.A.		DATE	NOV 7, 1996
		DATE	11/20/96
ISSUED	SCALE	A	

OUTLINE
 19L0456WH4

DISTR. TO