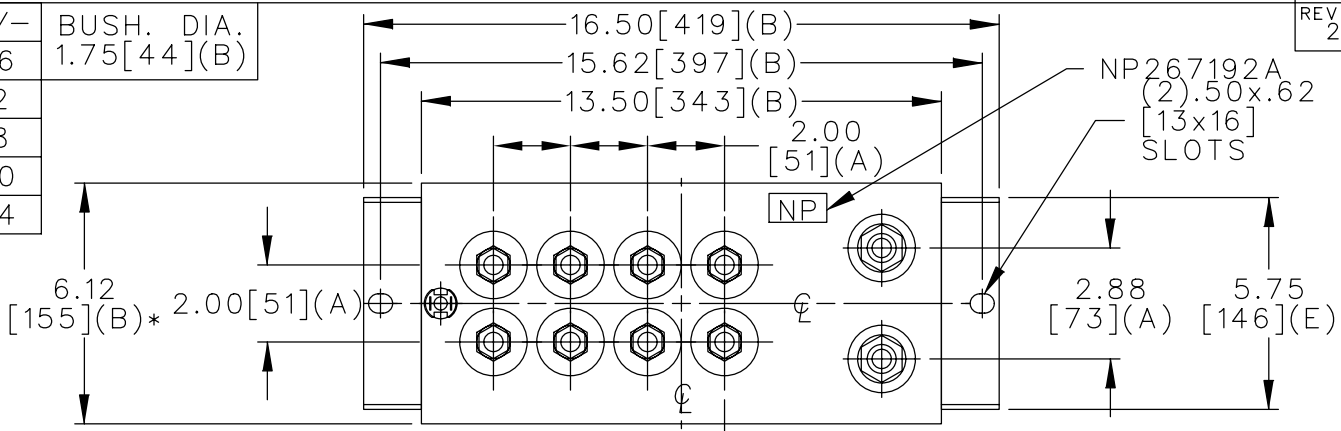
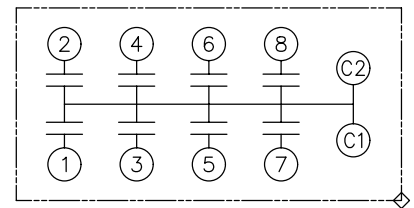


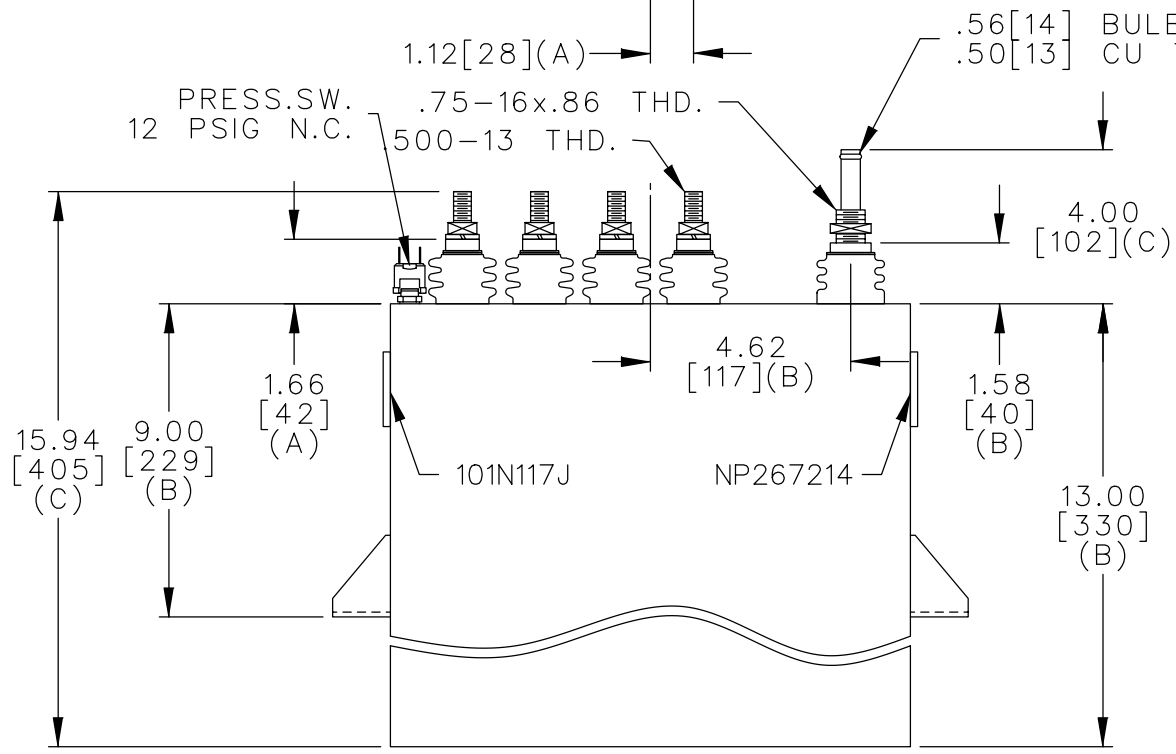
| | | |
|-----|-----|-------------|
| TOL | +/- | BUSH. DIA. |
| A | .06 | 1.75[44](B) |
| B | .12 | |
| C | .18 | |
| D | .50 | |
| E | .04 | |



| TERM | uF | kVAR |
|------|-------|------|
| 1 | 22.74 | 210 |
| 2 | 22.74 | 210 |
| 3 | 22.74 | 210 |
| 4 | 22.74 | 210 |
| 5 | 22.74 | 210 |
| 6 | 22.74 | 210 |
| 7 | 22.74 | 210 |
| 8 | 22.74 | 210 |



NO INTERNAL DISCH RESISTORS
 CAT. 19L0304WH4 SN
 1680KVAR 700V 3000HZ 1PH
 8x22.74 UF/TAP
 2.3 GALS. COMBUSTIBLE LIQUID
 CAUTION! BEFORE INSTALLING OR
 OPERATING READ GEH-2733
 NP267214



* UP TO +.50[13] CASE BULGE

MAX. TERMINAL TIGHTENING TORQUE 15 FT-LBS

NP267192A

| | | | | | |
|--------|---|----------------|------------------|-----------------------|--------------------|
| | CAPACITOR & POWER PROTECTION FORT EDWARD, N.Y., U.S.A. | | SIZE A | OUTLINE 19L0304WH4 | SHEET 2 CONT. ON - |
| | DRAWN E.McGINN | SEPT. 24, 1997 | SCALE | | |
| ISSUED | 10-1-97 | DISTR TO | | | |