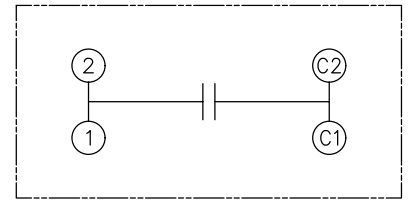
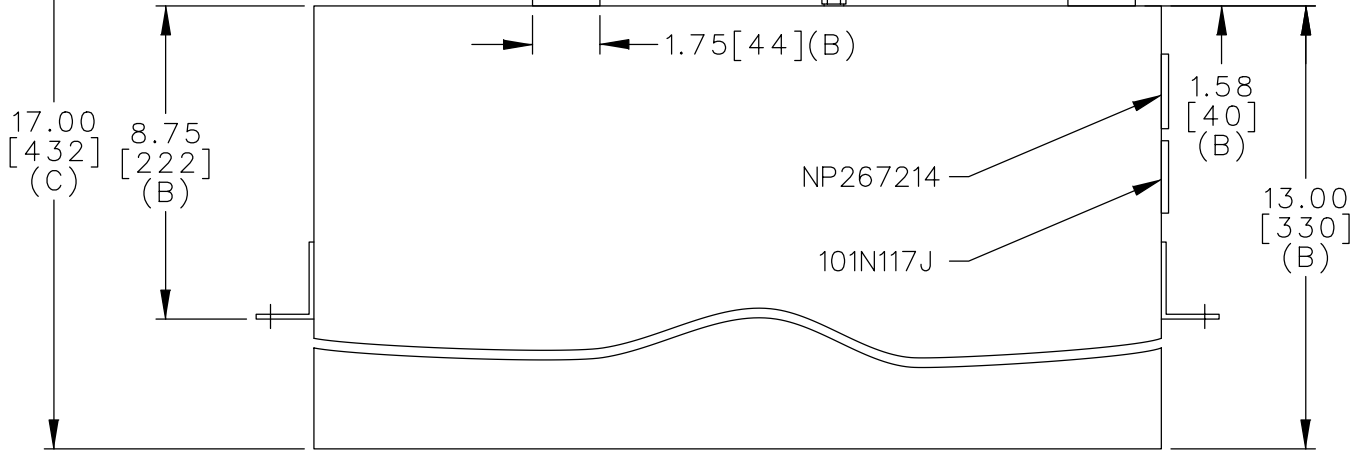
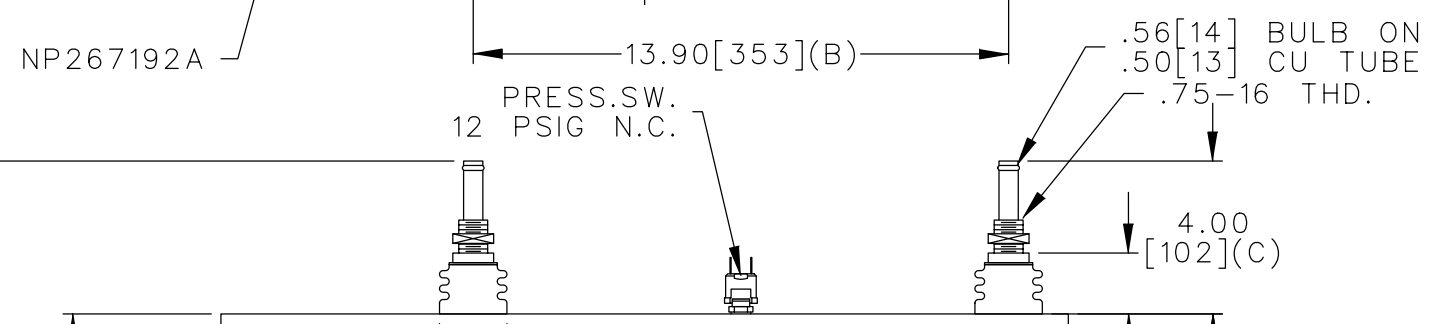
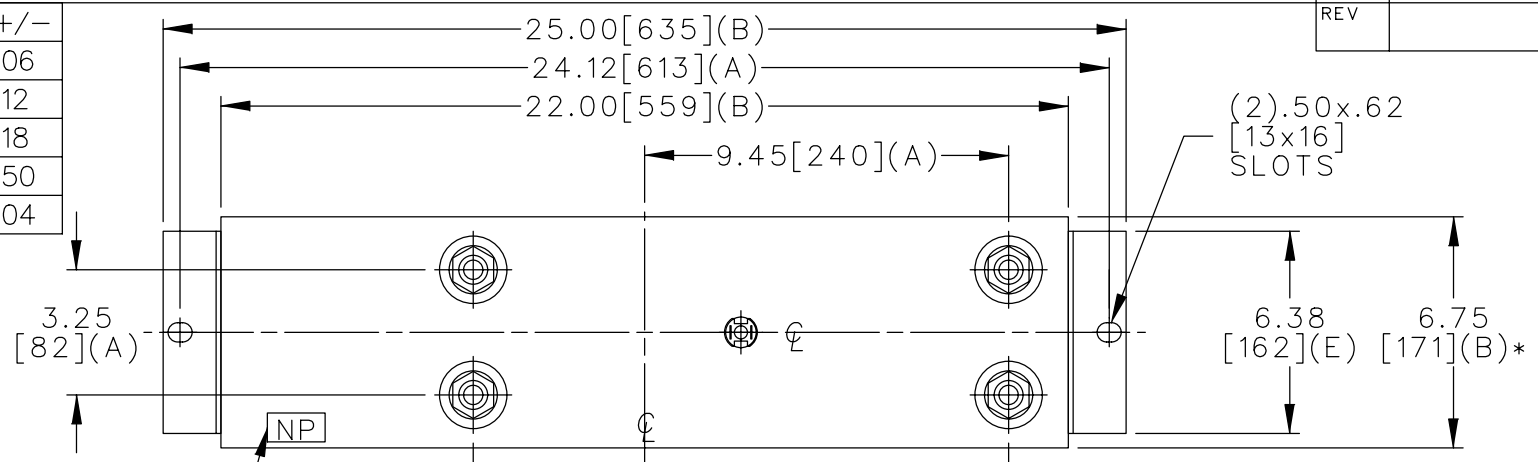


TOL	+/-
A	.06
B	.12
C	.18
D	.50
E	.04



SCHEMATIC DIAGRAM - 105

NO INTERNAL DISCH RESISTORS
 CAT. 19L0203WH4 SN
 4320KVAR 1800V 1200HZ 1PH
 176.8 UF/TAP
 3.8 GAL. COMBUSTIBLE LIQUID
 CAUTION! BEFORE INSTALLING OR
 OPERATING READ GEH-2733
 NP267214

* UP TO +.75 [19] CASE BULGE

MAX. TERMINAL TIGHTENING TORQUE 15 FT-LBS

NP267192A

	CAPACITOR & POWER PROTECTION FORT EDWARD, N.Y., U.S.A.		SIZE A	OUTLINE 19L0203WH4		SHEET 2 CONT. 3	DISTR TO
	DRAWN E.McGINN	NOV. 18, 1996	SCALE				
ISSUED							